

Deviations From Following Schematic, Fisher X-100

There seem to be numerous varieties of X-100's. The posted schematic is dated 1961, and the circuit layout is very much the same as my particular version. I don't know when my amp was built, but it looked unmodified when I got it.

The following differences between the schematic and hardware have been noted.

C12, C31: shown as 2200 pf, actually 1500 pf.

C15, C34: shown as 68 pf, actually 33 pf.

C11, C30: shown as 0.022 mf, actually 0.039 mf.

C19, C38: shown as 10 pf, actually 7.5 pf.

C23, C42: shown as 390 pf, actually 560 pf.

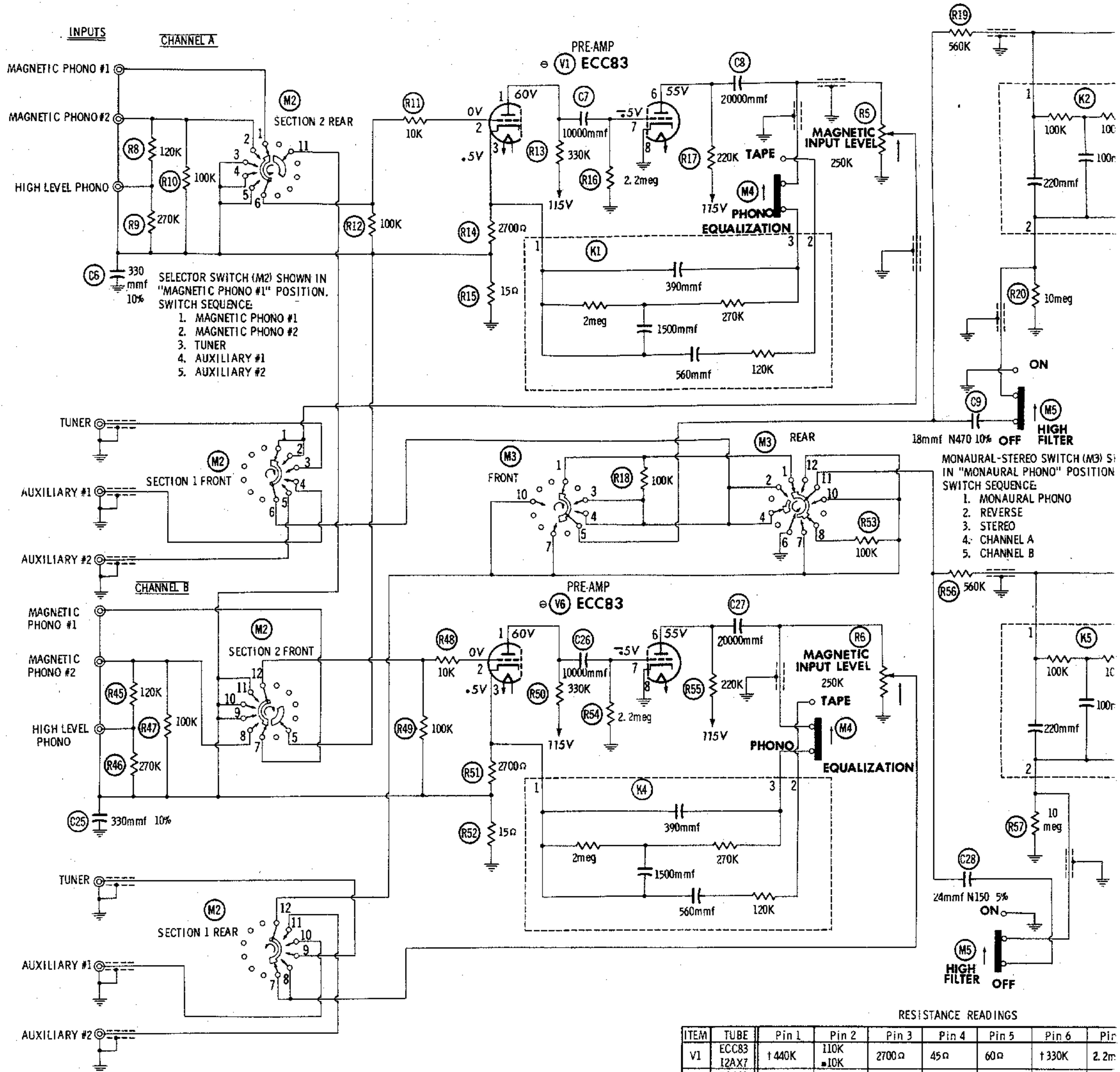
C14, C33: shown as 0.047 mf, actually 0.033 mf.

C18, C37: shown as 0.015 mf, actually not there.

R32, R70 are not there.

Also, C9 and C28 actually do have the values shown (18 pf on one channel, 24 pf on the other).

If you have more info on these amps, or a better schematic, please send it to The Valve Amplifier Circuit. <mailto:webmaster@audiocircuit.com>



SELECTOR SWITCH (M2) SHOWN IN "MAGNETIC PHONO #1" POSITION.
 SWITCH SEQUENCE:
 1. MAGNETIC PHONO #1
 2. MAGNETIC PHONO #2
 3. TUNER
 4. AUXILIARY #1
 5. AUXILIARY #2

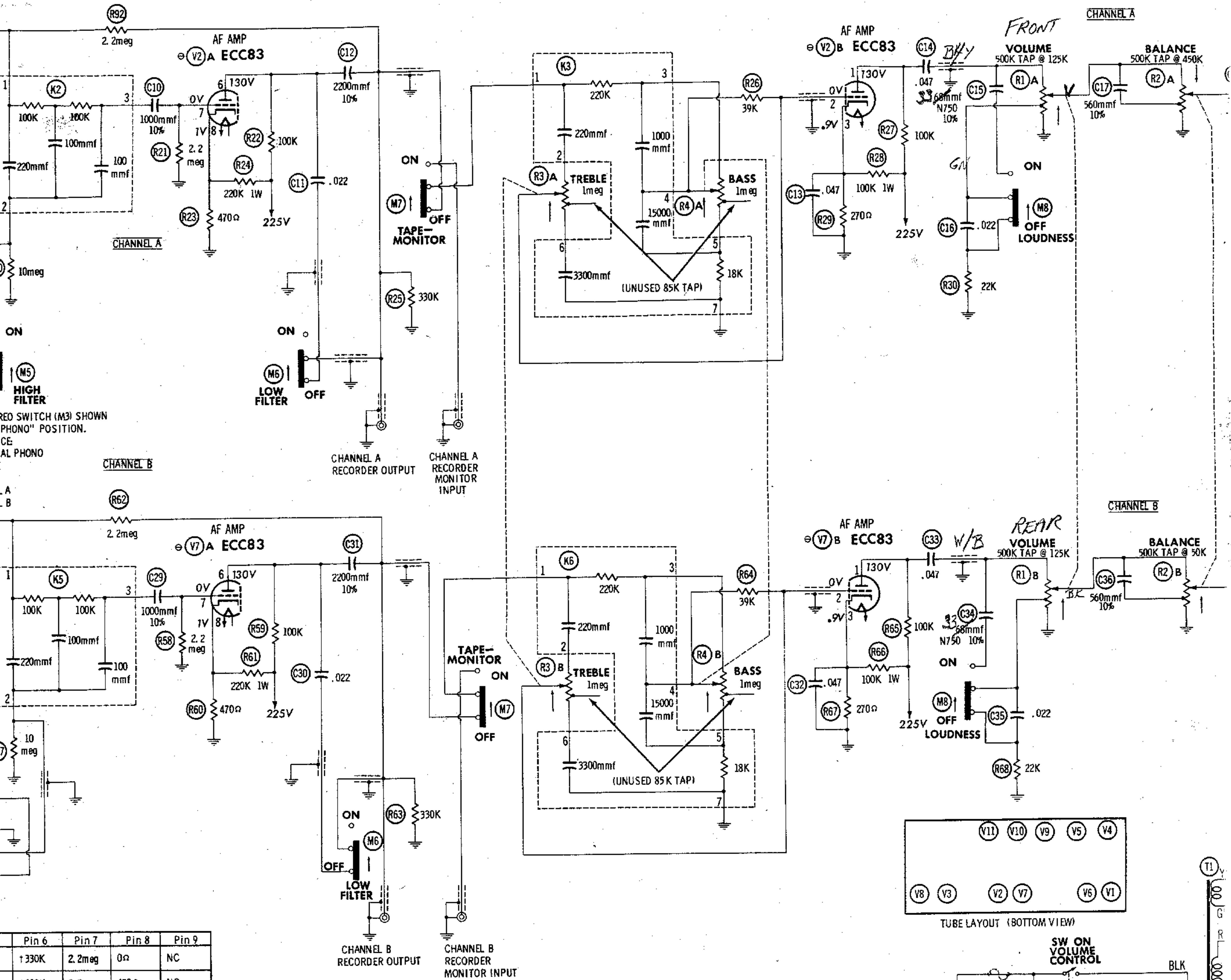
MONAURAL-STEREO SWITCH (M3) IN "MONAURAL PHONO" POSITION
 SWITCH SEQUENCE:
 1. MONAURAL PHONO
 2. REVERSE
 3. STEREO
 4. CHANNEL A
 5. CHANNEL B

1. DC voltage measurements taken with vacuum tube voltmeter; AC voltages measured with 1000 ohm per volt voltmeter.
2. Socket connections are shown as bottom views.
3. Measured values are from socket pin to common ground.
4. Line voltage maintained at 117 volts for voltage readings.
5. Nominal tolerance of component values makes possible a variation of ±15% in voltage and resistance readings.
6. All controls at minimum, proper output load connected.

RESISTANCE READINGS

ITEM	TUBE	Pin 1	Pin 2	Pin 3	Pin 4	Pin 5	Pin 6	Pin 7
V1	ECC83 12AX7	† 440K	110K ■ 10K	2700Ω	45Ω	60Ω	† 330K	2.2m
V2	ECC83 12AX7	† 110K	60K	270Ω	0Ω	15Ω	† 110K	2.2n
V3	7247	† 52K	† 570K	47K	160Ω	160Ω	† 570K	520K
V4	EL84 6BQ5	NC	335K	60Ω	160Ω	160Ω	NC	† 245
V5	EL84 6BQ5	NC	335K	60Ω	160Ω	160Ω	NC	† 255
V6	ECC83 12AX7	† 440K	110K ■ 10K	2700Ω	45Ω	30Ω	† 330K	2.2n
V7	ECC83 12AX7	† 110K	60K	270Ω	15Ω	30Ω	† 110K	2.2n
V8	7247	† 52K	† 570K	47K	160Ω	160Ω	† 570K	520K
V9	EL84 6BQ5	NC	335K	60Ω	160Ω	160Ω	NC	† 245
V10	EL84 6BQ5	NC	335K	60Ω	160Ω	160Ω	NC	† 265
V11	GZ34 5AR4	NC	9	NC	61Ω	NC	56Ω	NC

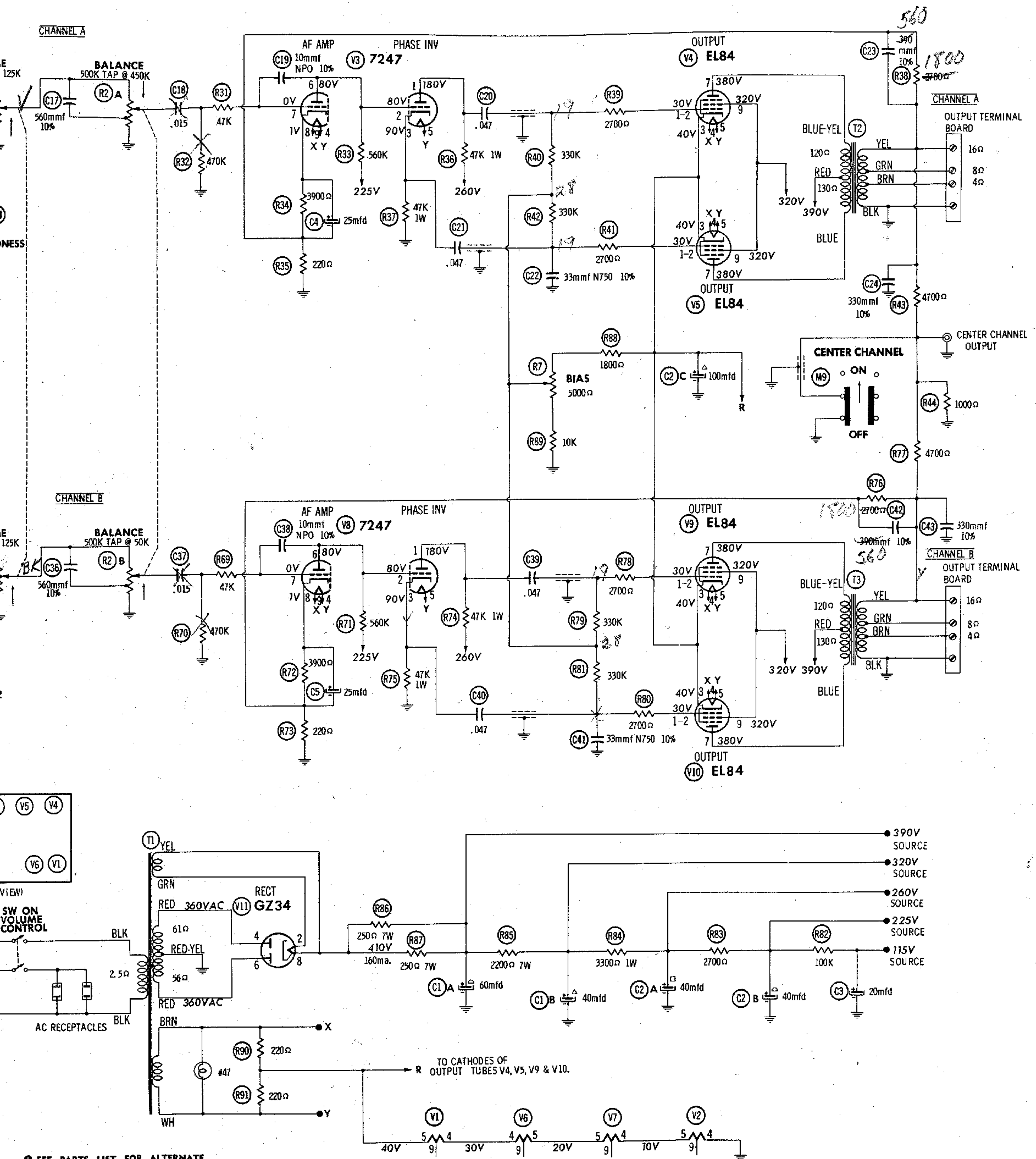
† THIS READING WILL VARY DEPENDING UPON THE CONDITION OF THE ELECTROLYTIC MEASURED FROM PIN 8 OF V11.
 ■ TAKEN WITH SELECTOR IN AUX POSITION. NC NO CONNECTION



Pin 6	Pin 7	Pin 8	Pin 9
† 330K	2.2meg	0Ω	NC
† 110K	2.2meg	470Ω	NC
† 570K	520K	4100Ω	160Ω
NC	† 245Ω	NC	† 2300Ω
NC	† 255Ω	NC	† 2300Ω
† 330K	2.2meg	0Ω	NC
† 110K	2.2meg	470Ω	NC
† 570K	520K	4100Ω	160Ω
NC	† 245Ω	NC	† 2300Ω
NC	† 265Ω	NC	† 2300Ω
56Ω	NC	†	

OF THE ELECTROLYTIC IN THE CIRCUIT.
NC NO CONNECTION

SEE PARTS LIST FOR ALT VALUE OR APPLICATION
DC COIL RESISTANCE VAL NOT SHOWN ON SCHEMA
ARROWS ON CONTROLS I CONTROL VIEWED FR



SEE PARTS LIST FOR ALTERNATE VALUE OR APPLICATION

DC COIL RESISTANCE VALUES UNDER ONE OHM NOT SHOWN ON SCHEMATIC DIAGRAM

ARROWS ON CONTROLS INDICATE CLOCKWISE ROTATION (CONTROL VIEWED FROM SHAFT END)

FISHER MODEL X-100